

DRAWING No.

THIS DRAWING IS THE PROPERTY OF MERIDIAN AUDIO LIMITED AND MUST NOT BE COPIED OR DISCLOSED TO A THIRD PARTY WITHOUT THE WRITTEN CONSENT OF MERIDIAN AUDIO LIMITED

THIRD ANGLE PROJECTION

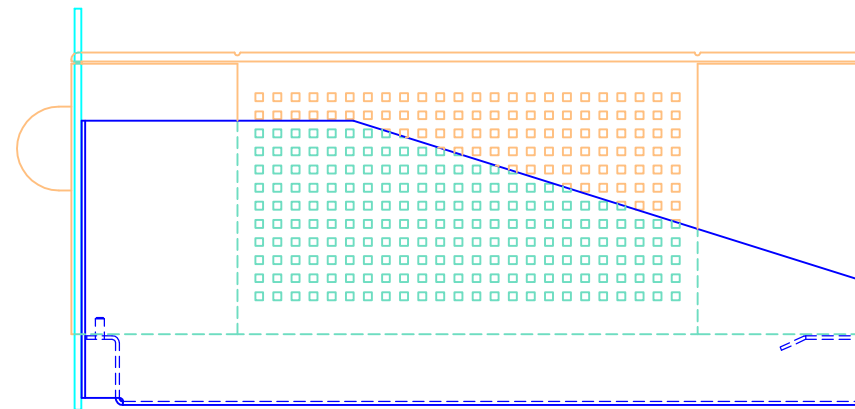
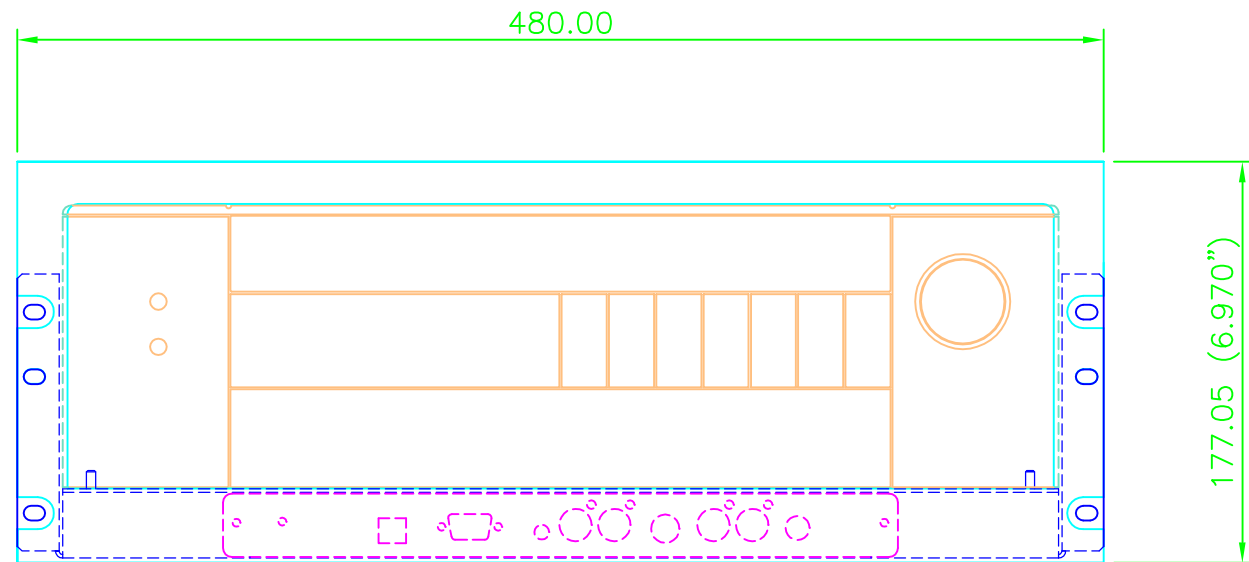
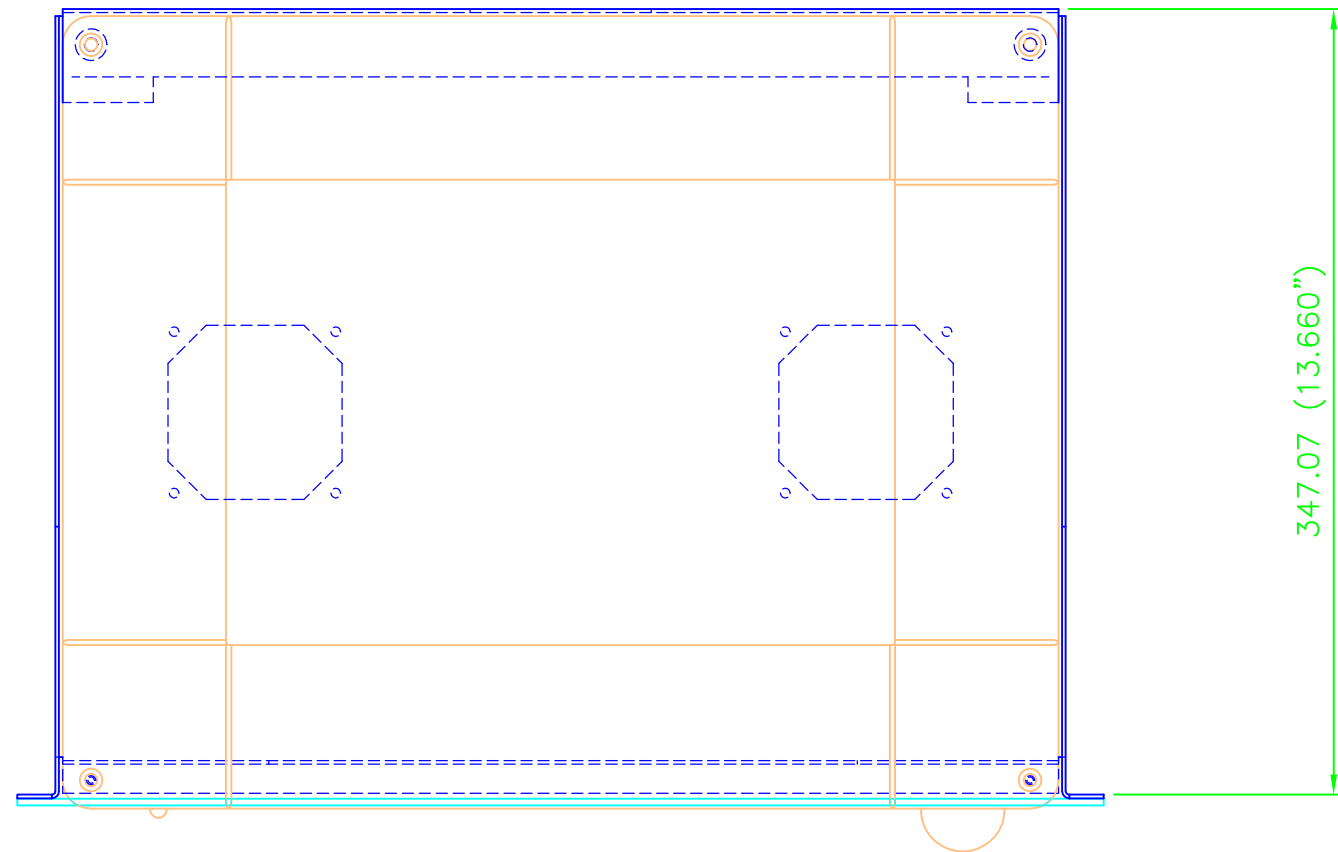
IF IN DOUBT ASK

ISSUE

MODIFICATIONS

DATE

1 INITIAL ISSUE



BOOTHROYD STUART
MERIDIAN
 MERIDIAN AUDIO LIMITED;
 STUKELEY MEADOWS INDUSTRIAL ESTATE;
 STONEHILL, HUNTINGDON,
 CAMBRIDGE, PE29 6EX;
 ENGLAND.
 TEL: 01480 445678
 FAX: 01480 445686

MATERIAL :	
FINISH :	
GENERAL TOLERANCES UNLESS OTHERWISE SPECIFIED	Drawn: VINCE
X,X ±0.20mm	Date:
X,XX ±0.10mm	Scale: FULL
X,XX ±0.1	
Part No.	
Product:	
TITLE:	
DRAWING No.	ISSUE No.
SHT: OF	