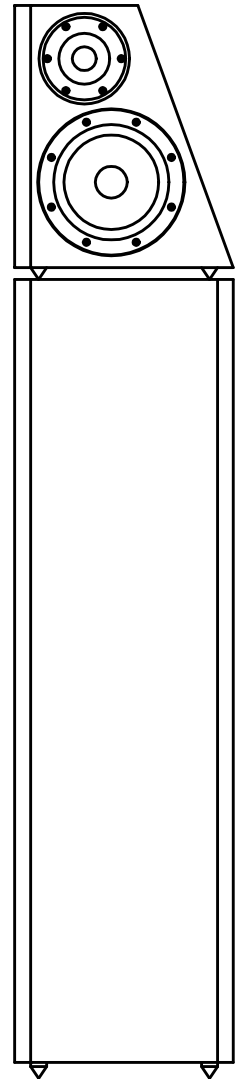
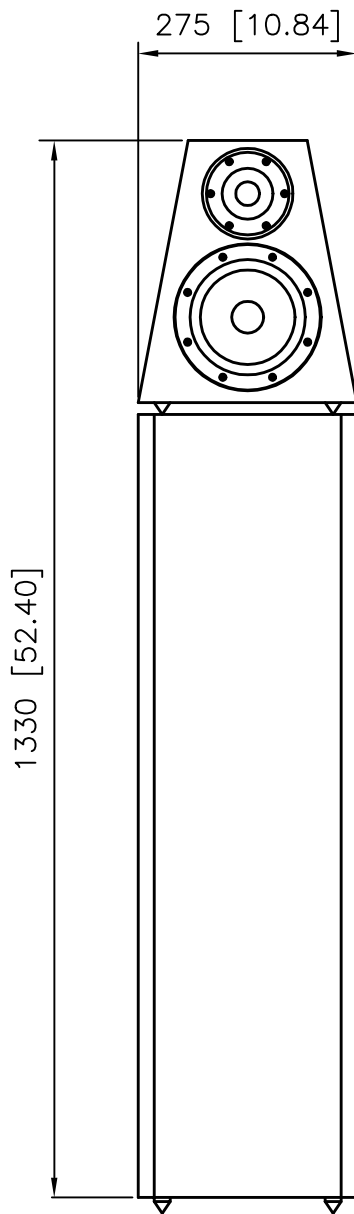
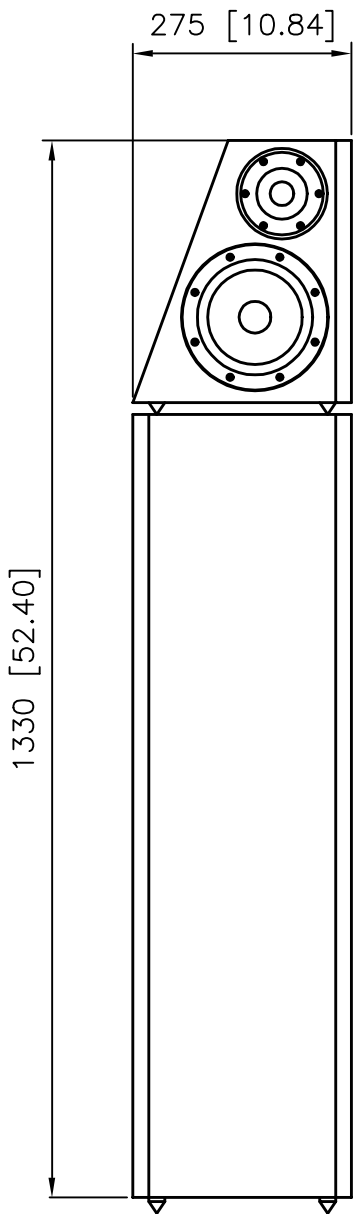
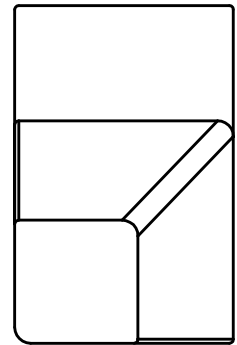
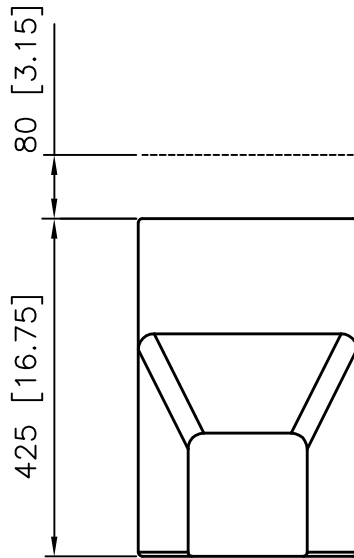
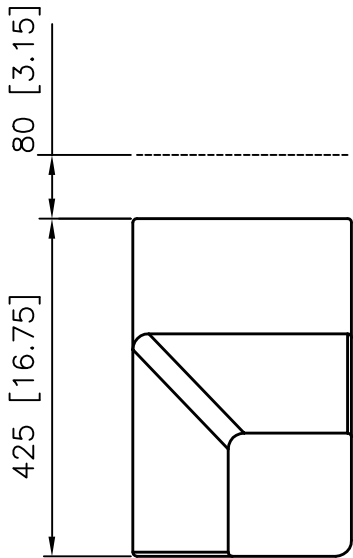


Dimensions in mm and [Inch]



DSP6000

DSP6000C

DSP6000
Issue: B

Drawing for room
layout purposes only

NB: Dotted line indicates clearance
required for connectors. 20mm [0.75"]
clearance around product required for
ventilation purposes.

Meridian Audio