

SR1000, TAPERED CAP/PLUG
PART NO. 10136
MOSS PLASTICS PARTS

6mm STEEL TOP PLATE

EXTRUSION 480 HIGH

REAR MOUNDINGS
200 AND 280 HIGH

16mm TIE BARS

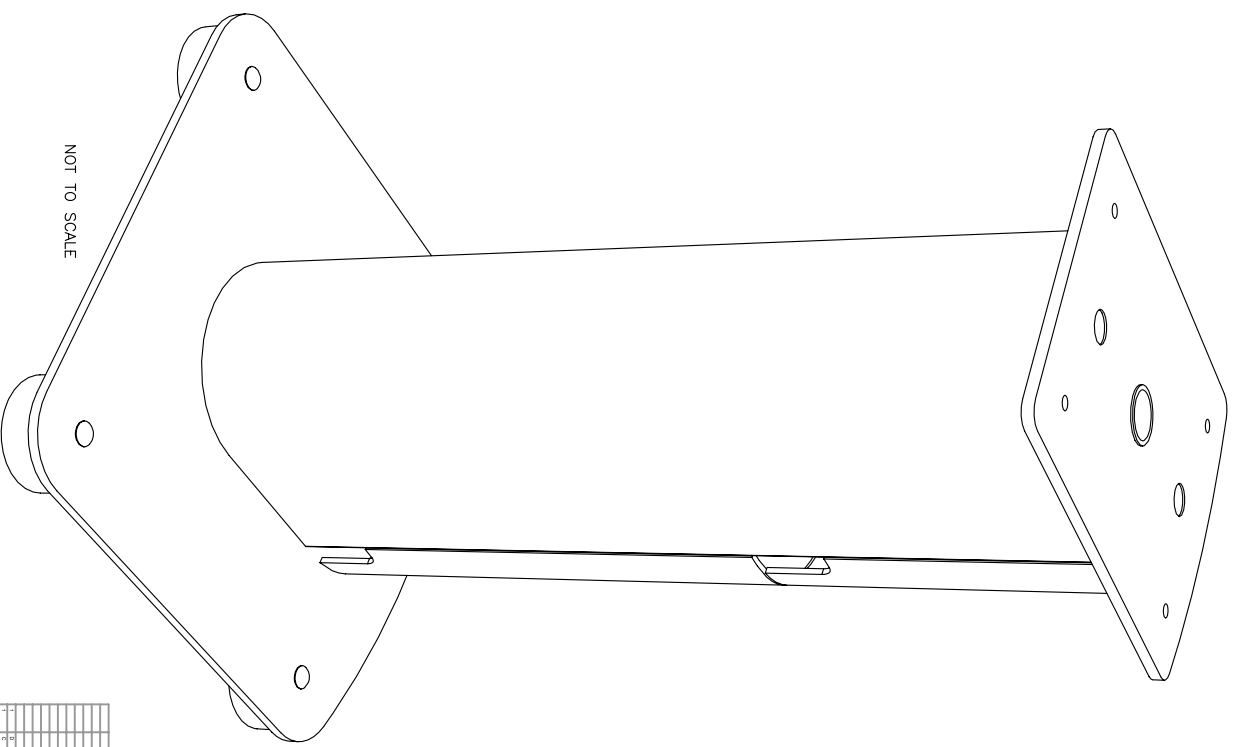
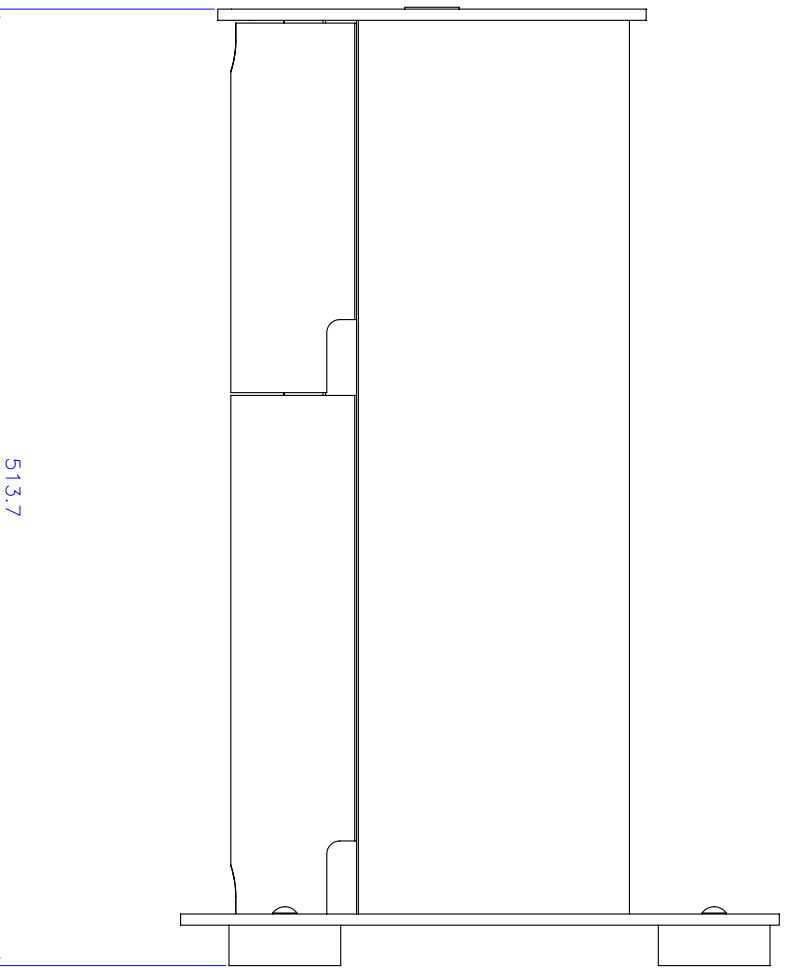
6mm STEEL BASE PLATE

4 X M8 X 16 S/S BUTTON HEADED BOLT

M8 X 16 S/S SPIKED BOLT
OPTION PACKED AS ACCESSORY

MERIDIAN 5200 MOULDED FOOT

4 X M8 NUT BLACK



NOT TO SCALE

NOT TO SCALE

REV	DATE	DESCRIPTION
1		ISSUE FOR MANUFACTURE
2		ISSUE FOR MANUFACTURE
3		ISSUE FOR MANUFACTURE
4		ISSUE FOR MANUFACTURE
5		ISSUE FOR MANUFACTURE
6		ISSUE FOR MANUFACTURE
7		ISSUE FOR MANUFACTURE
8		ISSUE FOR MANUFACTURE
9		ISSUE FOR MANUFACTURE
10		ISSUE FOR MANUFACTURE